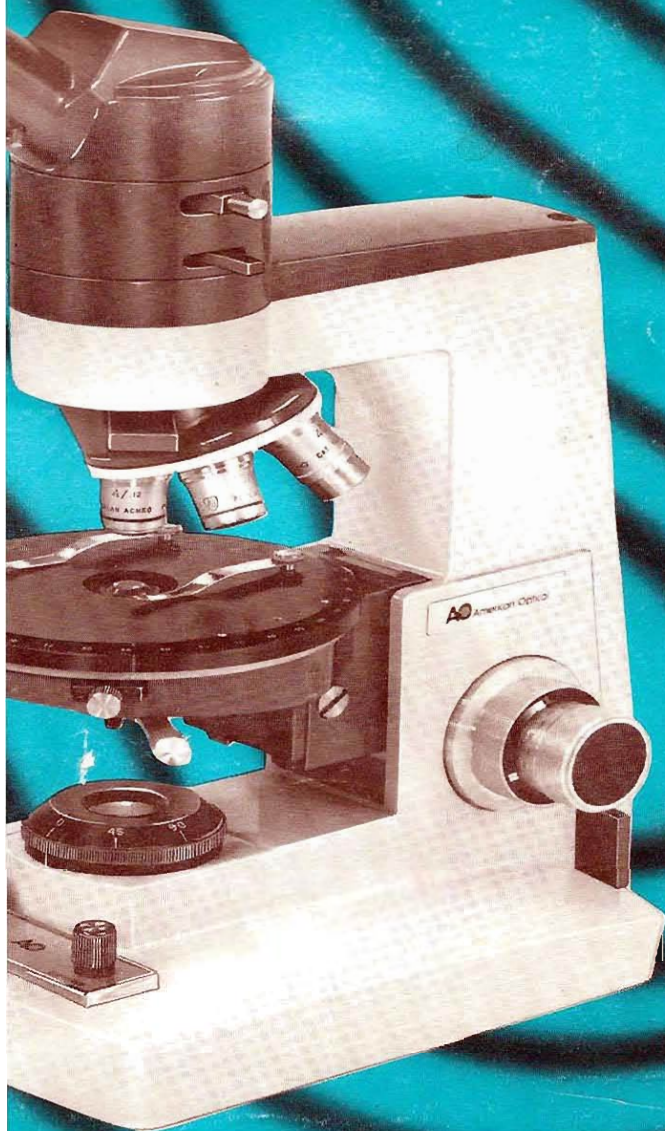


AO POL STAR™

POLARIZING MICROSCOPE
Series 110



AO
American Optical®

The AO Series 110 POL STAR Polarizing Microscope offers transmitted light examinations, including orthoscopic and conoscopic investigations, for industrial, teaching and laboratory applications in:

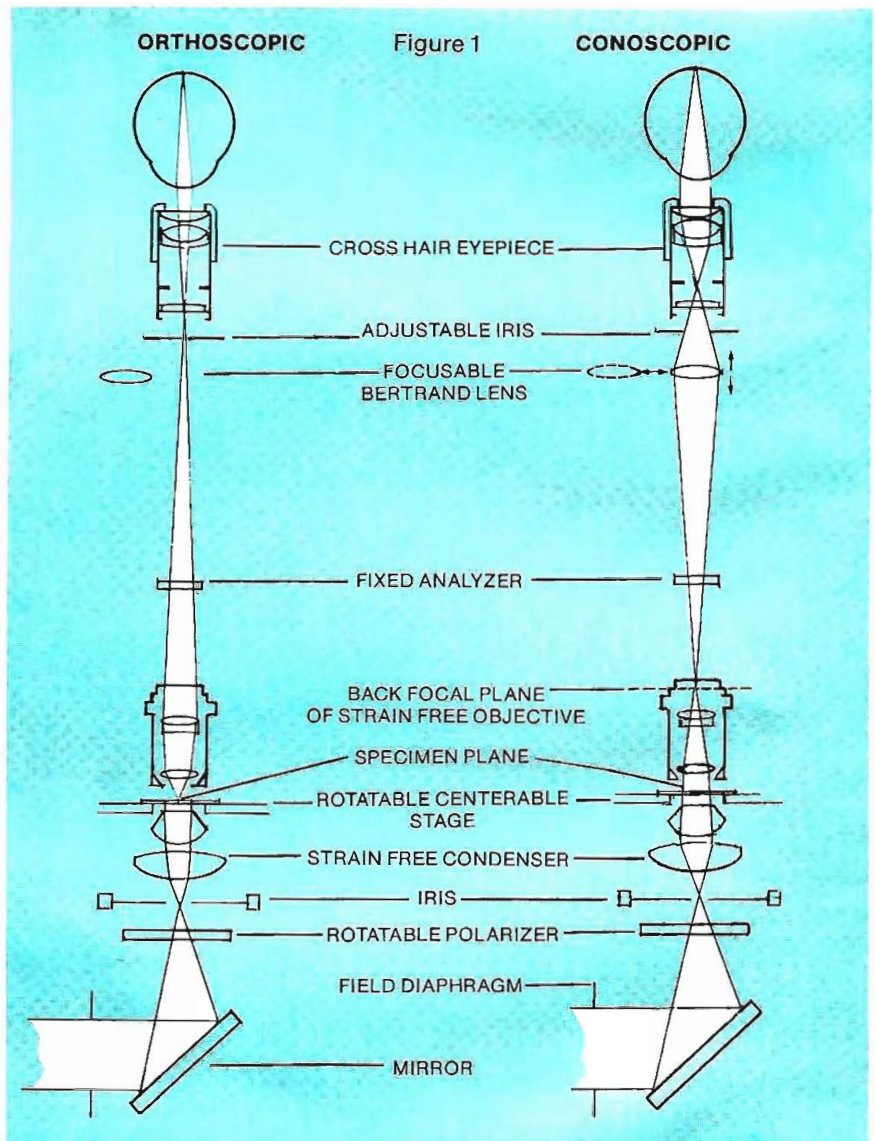
- CHEMISTRY • BIOLOGY • GEOLOGY • PETROLOGY • MINERALOGY
 METALLURGY • TOXICOLOGY • CRYSTALLOGRAPHY • PULP/PAPER • PAINT
 PLASTICS • PHARMACEUTICALS • GLASS • CERAMICS • FORENSIC SCIENCES
 POLLUTION CONTROL • GOUT/PSEUDO GOUT

The broad range of information that can be quickly obtained by observing the optical characteristics of a specimen, such as, refractive index, the degree of double refraction, intrinsic color, shape and cleavage, with the AO POL STAR Polarizing Microscope can mean significant time, money and materials savings ... particularly in research and process control areas. It is also ideal as a teaching microscope for courses in Chemistry, Geology, Petrology, Mineralogy, etc.

Figure 1 schematically illustrates the two general systems used to observe, classify and identify substances.

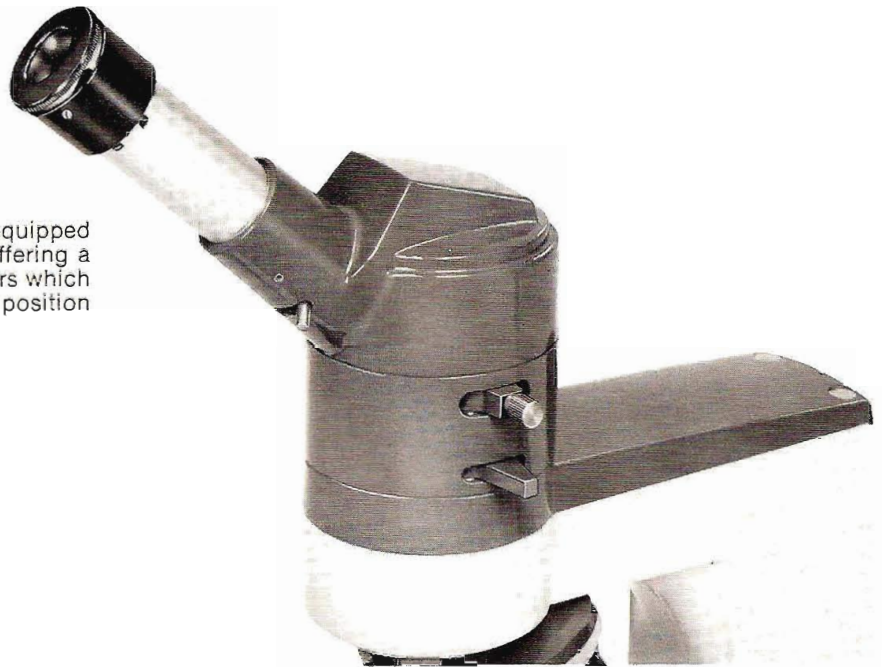
The orthoscopic system is applied to view the sample under crossed polarizer and analyzer. If the specimen is invisible or shows no birefringent properties, it is classified as isotropic; if it exhibits birefringence or is alternately bright and dark or colored upon stage rotation, it is classified as anisotropic.

The conoscopic system is the means for viewing the back aperture of a high power objective and reveals the interference figure produced by an anisotropic specimen. This method permits the classification of anisotropic materials as uniaxial or biaxial; and by insertion of compensators into the compensator slot, determines the nature of birefringence and optic sign.



- **Extra Wide Field**
- **Cross Hair Orientation**

The AO POL STAR Polarizing Microscope is equipped with a wide field 10X focusable eyepiece offering a full 20mm field of view. It also has cross hairs which can be oriented in either a 45° or 90° viewing position for mineral identification.



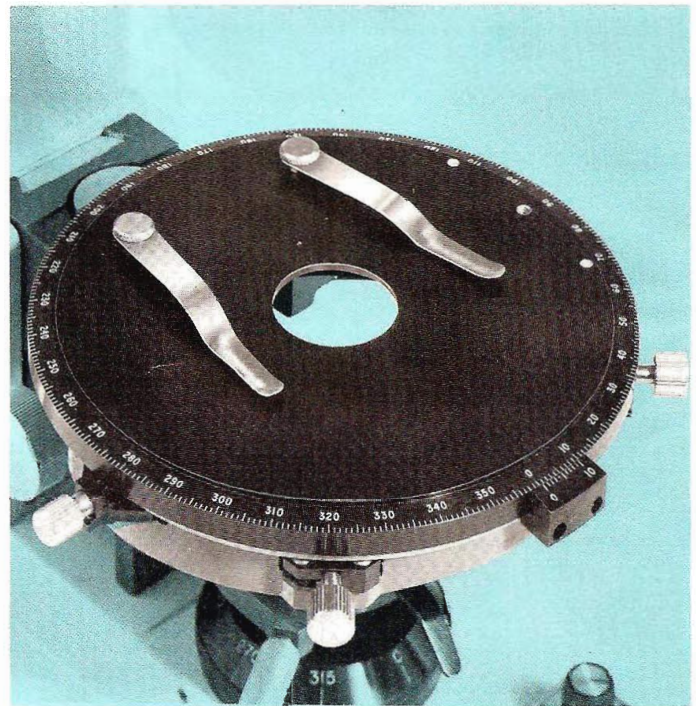
- **Superior Image Quality**
- **Bright, Contrasty Interference Figures**

The performance of any microscope is only as good as its optical system. Therefore, the AO POL STAR Polarizing Microscope comes equipped with a 4X Plan Achromatic, 10X strain free Plan Achromatic, and a 40X strain free Achromatic with N.A. 0.85.

All objectives are parcentered and parfocalized to minimize centering and focusing time. To insure stability and smooth operation, the objective nosepiece is of ball bearing construction. Traditional color coding assures quick positioning of the desired objective into the optical path.

All essential optical surfaces are AMERICOTE™, an AO exclusive coating process which decreases internal reflections, improves light transmission and image contrast.

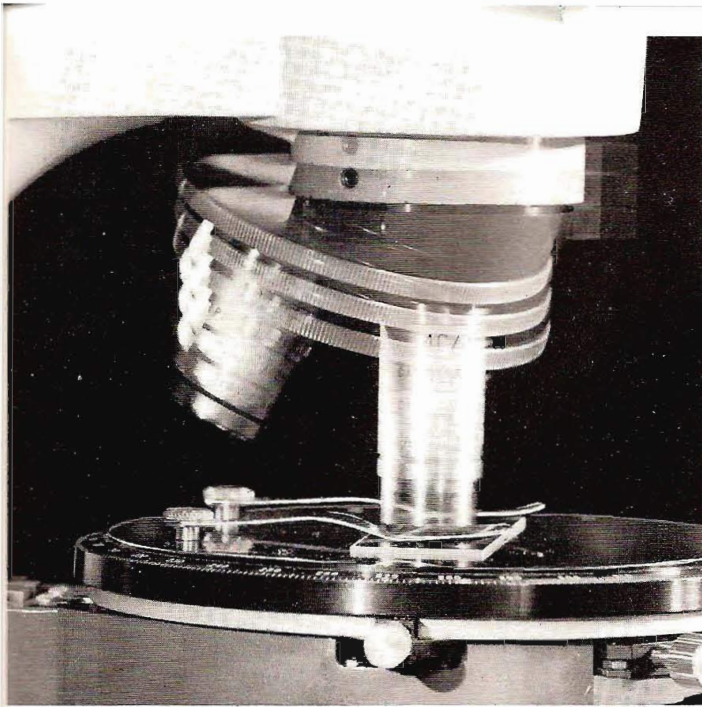
Of utmost importance is the contribution of infinity correction to optical performance. Constant tube length between objective and body is no longer necessary. This exclusive AO design results in a new level of exceptional performance and optical excellence.



- **Graduated**
- **Rotatable**
- **Circular Stage**

The AO POL STAR Polarizing Microscope's 360° rotatable, circular stage allows the specimen to be completely rotated and still remain centered to the optical axis.

The stage is marked in degrees with a vernier scale reading to one-tenth of a degree and is precentered at the factory. Two centering knobs are provided for future centering. A locking screw is also included so the stage can be set in a fixed, non-rotatable position.



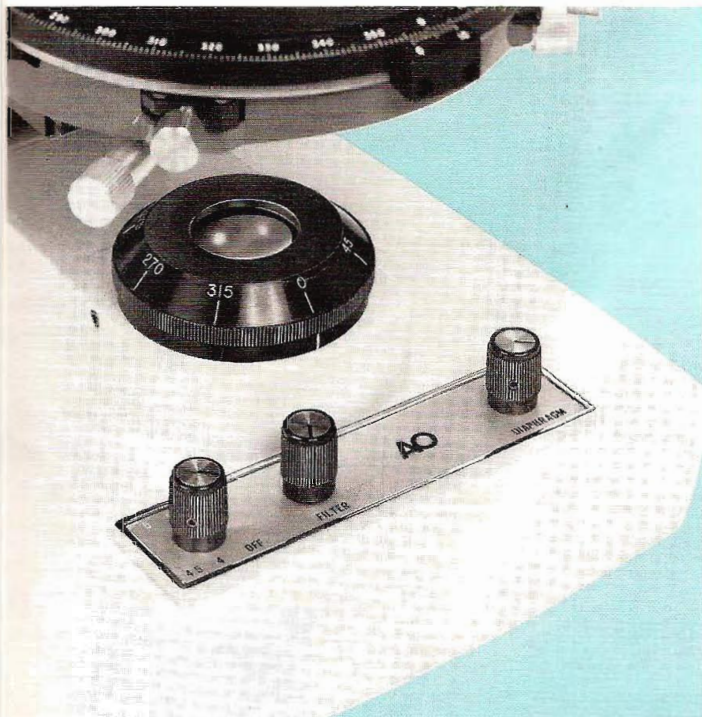
• Unique Focusing Nosepiece Concept

Only the nosepiece assembly moves to focus objective to specimen. Since the stage is not part of the focusing procedure, it is rigidly attached to the stand. The result is a stable, vibrationless system, free from the effects of hand pressure on the stage.

The maintenance-free focusing mechanism is enclosed in the microscope stand assembly, protected from dirt or damage. Coaxial coarse and fine adjustment controls are mounted low on the stand for comfortable, convenient operation.

The nosepiece is gravity loaded. There is no positive downward force. If the objective is accidentally lowered onto the slide, the nosepiece assembly can "give," avoiding objective or specimen damage. Movement of the nosepiece on a ball bearing slideway insures smooth positive action, free from backlash.

ES

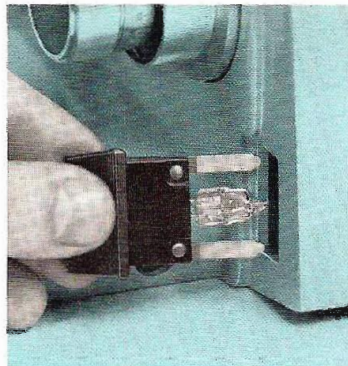


- More Light-Increased Lamp Life
- Easy Change Bulb
- Clean Burning, High Color Temperature Tungsten Halogen Illuminator

AO's built-in Illuminator is one of the most advanced light sources ever offered on a laboratory microscope. It combines superior performance with convenient operation. All of the following features are incorporated:

- Quick change High Intensity 20W Tungsten Halogen Lamp
- Continuously variable intensity built-in transformer
- Solid State construction
- Built-in field diaphragm and 10% neutral density filter
- Highly corrected lens system

Intensity, Field Diaphragm and Neutral Density Filter controls are conveniently located on the front of the base. Quick, efficient set up of desirable Koehler illumination is assured.

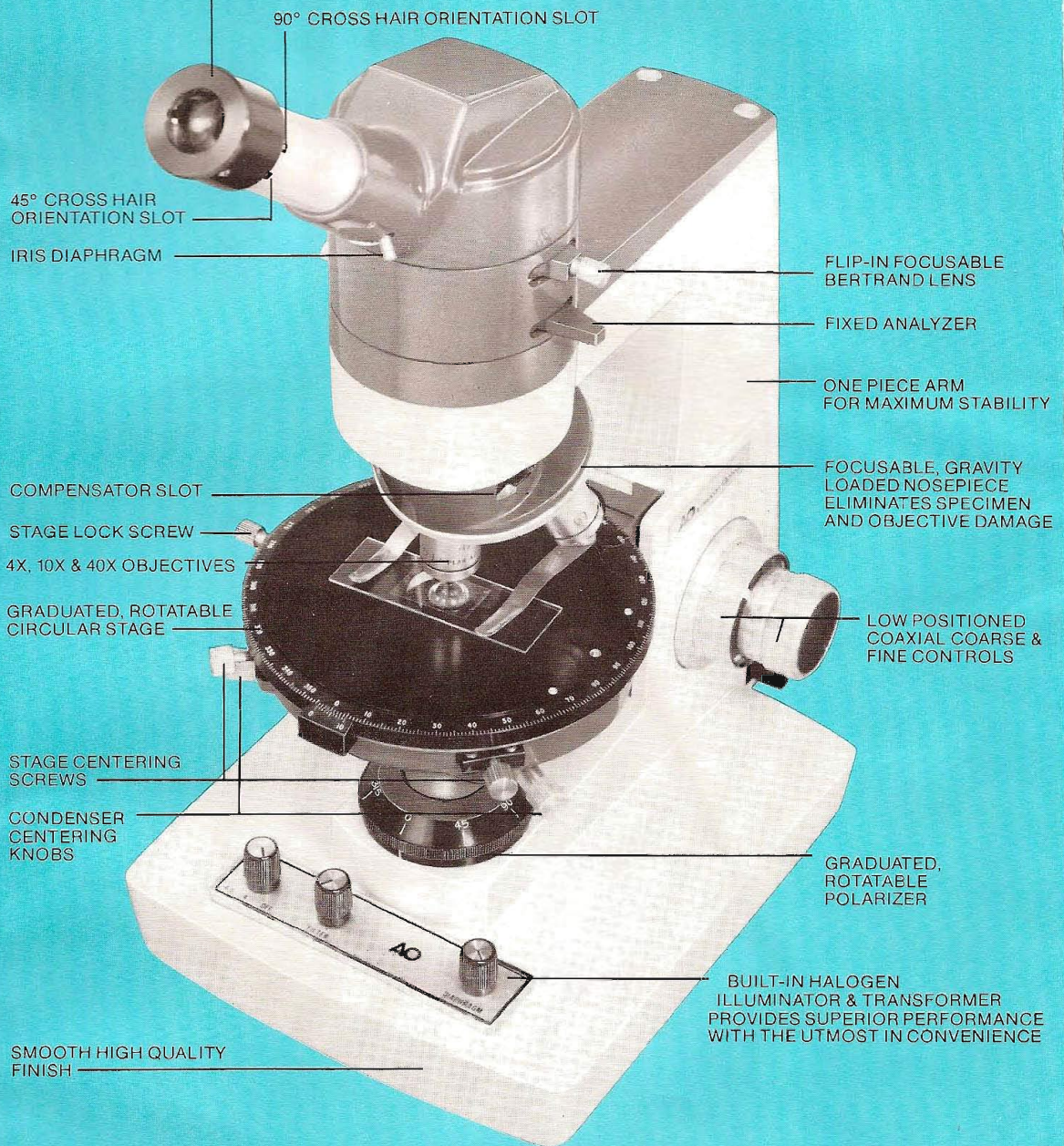




AO POL STAR

POLARIZING MICROSCOPE SERIES 110

10X WIDE FIELD EYEPIECE WITH CROSS HAIR RETICLE AND EXTRA LARGE 20mm FIELD OF VIEW



COMPENSATORS (Standard DIN Size - 6.0mm x 20mm)	1886	1/4 Wave Mica Plate
	1887	Full Wave

CONDENSERS & CONDENSER MOUNTS	1091	Auxiliary Condenser
	1092	Condenser Mount
	1087S	Abbe Condenser N.A. 1.25 Strain Free

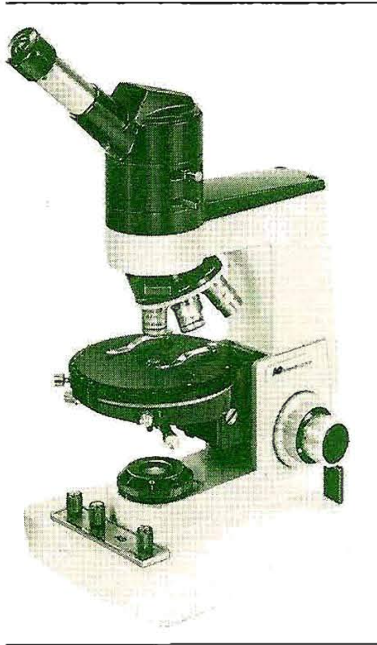
ILLUMINATORS & LAMPS	1130E	In Base Transformer & Tungsten Halogen Illuminator for 220V, 50Hz Lamp
	1120	Replacement Lamp for 1130 Illuminator 6V, 20W Tungsten Halogen

AO[®] American Optical
INSTRUMENT DIVISION
BOX 123, BUFFALO, NY 14240



PRICE LIST


Effective February 1, 1981

Series H110 POL STAR® Microscope



H110M-POL

STAND & ILLUMINATOR	BODY
 <p>H110</p> <p>1880 Stand, with Quadruple Nosepiece</p> <p>1130 In-Base Transformer and Illuminator, 115V, 60 Hz (220V, 50 Hz available)</p>	 <p>M</p> <p>1889 Monocular</p>
CATALOG NUMBER	PRICE
H110M-POL	\$3100.00

STAGE, OBJECTIVES, CONDENSERS	
 <p>POL</p>	
1882	Circular, Graduated, Rotatable Stage
1890	10X W.F. Eyepiece
1017S	4X Objective
1019S	10X Objective
1891	40X Objective
1091S	Auxiliary Condenser
1092	Condenser Mount
1087S	Abbe Condenser N.A. 1.25, Strain-free

ALTERNATE PARTS AND ACCESSORIES



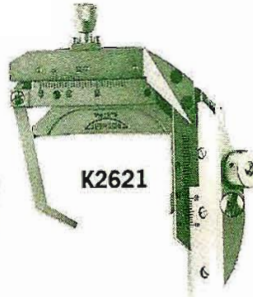




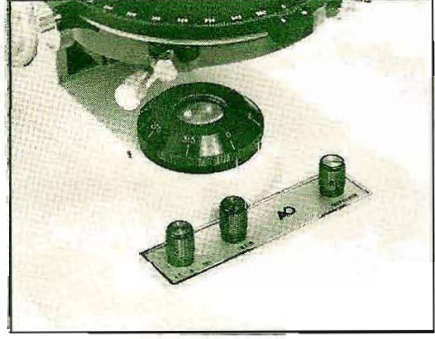


1017S 1019S 1022S 1891 1029S



1890

CATALOG NUMBER	DESCRIPTION	PRICE
OBJECTIVES		
1017S	4X, N.A. .12 Strain-free, Planachromatic	\$ 95.00
1019S	10X, N.A. .25 Strain-free, Planachromatic	95.00
1022S	20X, N.A. .50 Strain-free, Planachromatic	150.00
1891	40X, N.A. .85 Strain-free, Achromatic	275.00
1029S	100X, N.A. 1.25 Strain-free, Planachromatic	340.00
EYEPIECE		
1890	10X W.F. with cross-lines	95.00

CATALOG NUMBER	DESCRIPTION	PRICE
 <p>1882</p>		
 <p>1619</p>  <p>K2621</p>	<p>BODY</p> <p>1889 Monocular with focusable Bertrand lens and fixed analyzer for POL STAR, only</p> <p>STAGE</p> <p>1882 Graduated, circular, complete with bracket</p> <p>K2621 Mechanical Stage Attachment for 28mm x 48mm slides</p> <p>CABINET</p> <p>1619 Deluxe Cabinet</p>	<p>\$525.00</p> <p>750.00</p> <p>300.00</p> <p>75.00</p>
 <p>1886</p> <p>1887</p>	<p>COMPENSATORS and POLARIZER</p> <p>1886 ¼ Wave Mica Plate</p> <p>1887 Full Wave Plate</p> <p>1881 Rotatable Polarizer</p>	<p>72.00</p> <p>72.00</p> <p>160.00</p>
 <p>1091S</p>  <p>1092</p>  <p>1087S</p>	<p>CONDENSERS AND CONDENSER MOUNT</p> <p>1091S Auxiliary Condenser</p> <p>1092 Condenser Mount</p> <p>1087S Abbe Condenser N.A. 1.25 Strain-free</p> <p>ILLUMINATORS</p> <p>1130 In-Base Transformer and Tungsten Halogen Illuminator</p> <p>1130E Same as 1130, but for 220V, 50 Hz.</p> <p>LAMP</p> <p>1120 Replacement Lamp 6V, 20W Tungsten Halogen</p>	<p>35.00</p> <p>35.00</p> <p>55.00</p> <p>290.00</p> <p>325.00</p> <p>7.00</p>
 <p>1130</p>		

All prices and terms of sale are subject to change without notice.
 Applicable taxes are in addition to prices stated.
 The equipment supplied may not agree in all details with our description or illustrations because instruments are subject to modification and improvement.

AO[®] American Optical
 INSTRUMENT DIVISION
 BOX 123, BUFFALO, NY 14240